

**Statutory Declaration (Registration of Fittings)**

TSK-1008

**I. Declaration Information**

I, Joel Feldman  
Vice President, Engineering  
(company title, e.g. vice president, plant manager, chief engineer)  
(must be in a position of authority in the manufacturing plant where the fitting is produced)  
of: Swagelok Company  
(name of manufacturer)

In this space, show facsimile of manufacturer's logo or trademark as it will appear on the fitting.



located at: Headquarters: 29500 Solon Road Solon, Ohio 44139 USA  
(Plant Address - Apt/Street) (City/Prov) (Postal Code)

do solemnly declare that the fittings listed hereinunder, which are subject to the **Saskatchewan Boiler and Pressure Vessel Safety Act** (check one)

- Comply with the requirements of ASME B31.1 and ASME B31.3 which specifies the dimensions, (title of recognized North American Standard) Materials of construction, pressure / temperature ratings and identification marking of the fittings, or
- Are not covered by the provisions of a recognized North American standard and are therefore manufactured to comply with \_\_\_\_\_ as supported by the attached data which identifies the dimensions, materials of construction, pressure / temperature ratings and the basis for such ratings, and the marking of the fittings for identification.

I further declare that the manufacturer of these fittings is controlled by a quality control program which has been verified by the following authority, BSI as being suitable for the manufacturer of these fittings to the stated standard. The fittings covered by this declaration, for which I seek registration, are Category A. Fitting

In support of this application, the following information, calculations and / or test data are attached:

ISO 9001:2015 Certificate, Attachment A, Attachment B, Catalog Information and other Support Documents

**II. Declaration**

DECLARED before me at Solon In the State of Ohio  
 this 3rd day of October, 2019  
Brenda Hammel Joel C. Feldman  
(print name) (Signature)  
Brenda Hammel  
(Signature of Commissioner of Oaths)

**III. Office Use Only**

To the best of my knowledge and belief, the application meets the re CSA B51, Clause 4.2, and is accepted for registration in Category \_\_\_\_\_

(Registration Number)

(Date Recd)  
(For the)



Registration No. 0A22214.53  
 File No. 11445  
 Registered  
 Date: April 22, 2020  
 Expiry Date: March 02, 2030  
 Codes & Standards Compliance Office

**Attachment B. Scope of Registration for Swagelok Alloy C-276  
 (ASTM B564, B574) Tube Fittings (Category A)**

This document represents the scope of Swagelok Alloy C-276 Tube Fittings covered by this submission for CRN approval. These Swagelok Tube Fittings have been evaluated in accordance with ASME B31.3 for unlisted components and ASME B31.1 for unlisted components.

**Summary Table**

Product Description or Series	Material (Standard)	Port Connections and Sizes	Maximum Allowable Working Pressure		Design Code of Construction
			Up to 100°F	At maximum temperature	
Gaugeable Tube Fittings and Adapter Fittings	Alloy C276 (ASTM B564 / ASTM B574)	Swagelok End Connection 1/4 inch – 1/2 inch 6mm - 12mm	See Table below	See Table below	ASME B31.3 (Unlisted Components)
		NPT Male 1/16 - 1 inch	11 000 – 5300 psig	9020 - 4350 psig @ 1000°F (537°C)	
		NPT Female 1/16 - 1 inch	6700 – 4400 psig	5500 - 3610 psig @ 1000°F (537°C)	

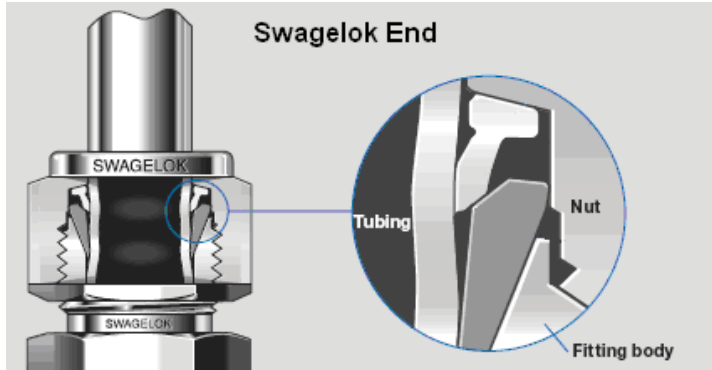
**Alloy C-276 Swagelok Tube Fitting Pressure Rating Table**

Swagelok End Connection Size	Maximum Allowable Working Pressure	
	Up to 100°F	At maximum temperature 1000°F (537°C)
1/4 inch	10 200 psig	7752 psig
3/8 inch	6500 psig	4940 psig
1/2 inch	5100 psig	3876 psig
6mm	670 bar	509 bar
10mm	380 bar	289 bar
12mm	310 bar	235 bar



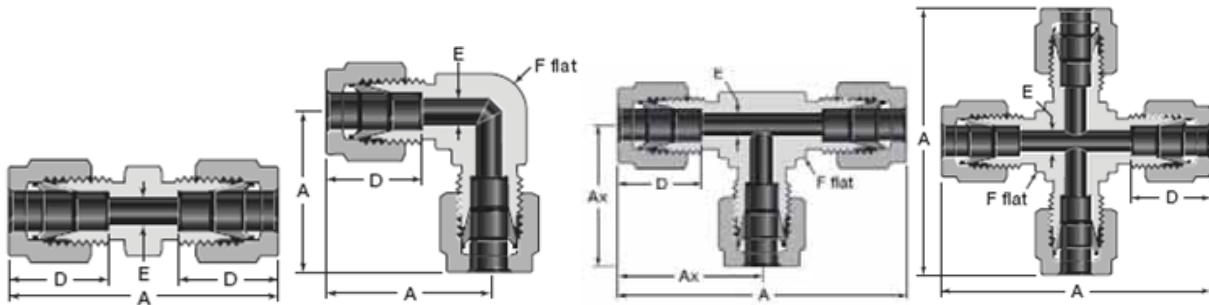
## Product Description

Swagelok Fittings are furnished in a variety of configurations and shapes (straight, elbow, tee or cross). Swagelok Fittings consist of at least one Swagelok End – a proprietary two-ferrule mechanical-grip design. The table below, as well as the “Configurations” section, covers a variety of other end connections.

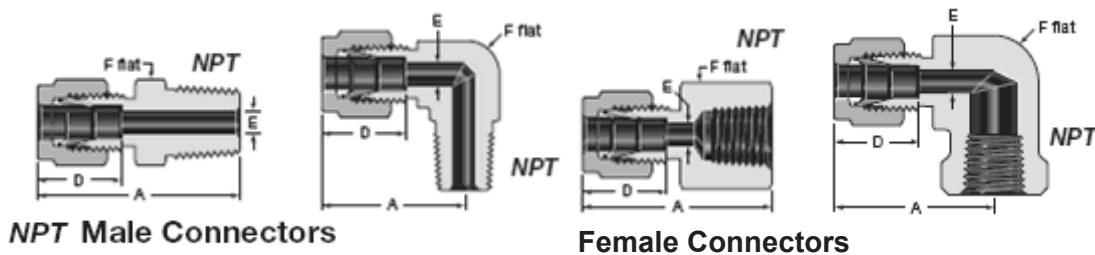


## Configurations

### 1. Unions.



### 2. Male and Female connectors / adapters.



NPT Male Connectors

Female Connectors

## **Product Options:**

Some of the product options listed below affect the pressure-temperature ratings in the “Scope of Registration” section above, but in all cases the pressure ratings are the same or less than those shown in the Summary Table on page 1.

- Sealant for NPT pipe threads -
  - Curable resin with PTFE
  - PTFE tape
- Bored through fittings
- Plastic ferrules, (Nylon, Teflon, PEEK)

Additional options that do not affect pressure and/or temperature ratings may be made available within the scope of this approval. Examples of these would include the following:

- Special marking
- Special cleaning
- Wire drills
- bulkhead configurations
- Snubbers/frits and orifice plates

All of the above options, those that affect pressure and/or temperature ratings and those that do not, are within the scope of this approval.

## **Quality System**

The Swagelok Company quality system complies with the requirements of ISO 9001:2015. Swagelok Company maintains BSI Certificate of Registration Number FM 01729, which applies to all locations listed on the Certificate.

## **References**

The product catalog does not represent the full scope of the registration but rather details some of the most common options.

- Gaugeable Tube Fittings and Adapter Fittings MS-01-140, Rev Y
- Swagelok Tubing Data Sheet MS-01-107, Rev N

## Attachment A. Swagelok Manufacturing Locations

This document lists the Swagelok locations where end item or component level manufacturing activities take place.

Swagelok Company 29500 Solon Road Solon, Ohio 44139 USA	Swagelok Company (Falon 1) 348 Bishop Road Highland Heights, Ohio 44143 USA
Swagelok Company (Highland) 318 Bishop Road Highland Heights, Ohio 44143 USA	Swagelok Company (Falon 2) 358 Bishop Road Highland Heights, Ohio 44143 USA
Swagelok Company (OFC) 29495 F.A. Lennon Drive Solon, Ohio 44139 USA	Swagelok Company (HPF) 6050 Cochran Road Solon, Ohio 44139 USA
Swagelok Company (Atlantic) 26651 Curtiss Wright Parkway Willoughby Hills, Ohio 44092 USA	Swagelok Company (Snow Metal) 6060 Cochran Road Solon, Ohio 44139 USA
Swagelok Company (Micro) 26653 Curtiss Wright Parkway Willoughby Hills, Ohio 44092 USA	Swagelok Company (Alfred) 29500 Ambina Drive Solon, Ohio 44139
Swagelok Hose Services Company (SHSC) 29900 Solon Industrial Parkway Solon, Ohio 44139	Swagelok Company (Strongsville) 15400 Foltz Road Strongsville, Ohio 44119
Swagelok (China) Fluid System Technologies Ltd. Changshu Export Process Zone Changshu Economic Development Zone Changshu, Jiangshu 215513 China	Swagelok Limited Ballafletcher Road Tromode IM4 4RA Isle of Man



Registration No. 0A22214.53

File No. 11445

Registered

Date: April 22, 2020

Expiry Date: March 02, 2030

Codes & Standards Compliance Office